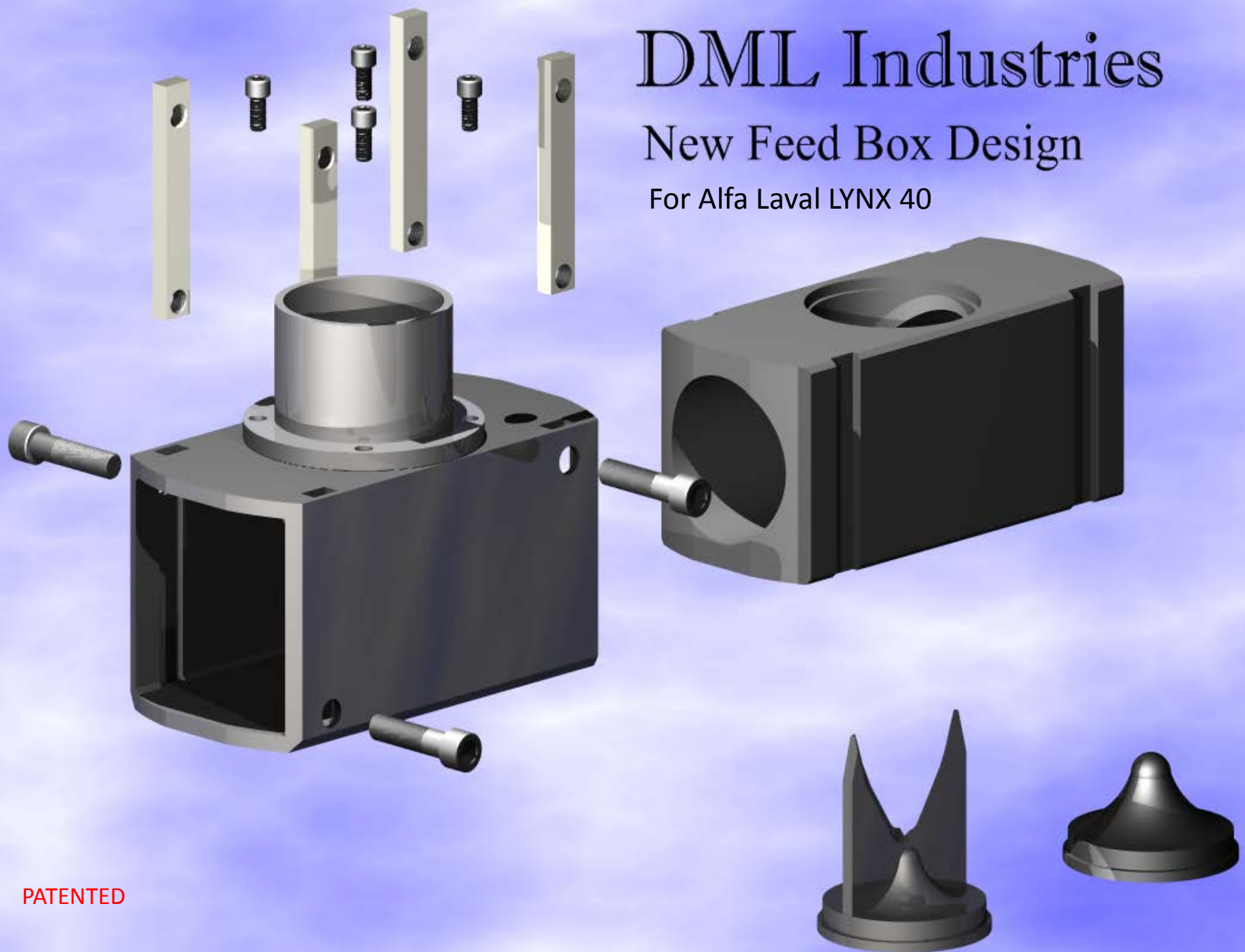


# DML Industries

## New Feed Box Design

For Alfa Laval LYNX 40

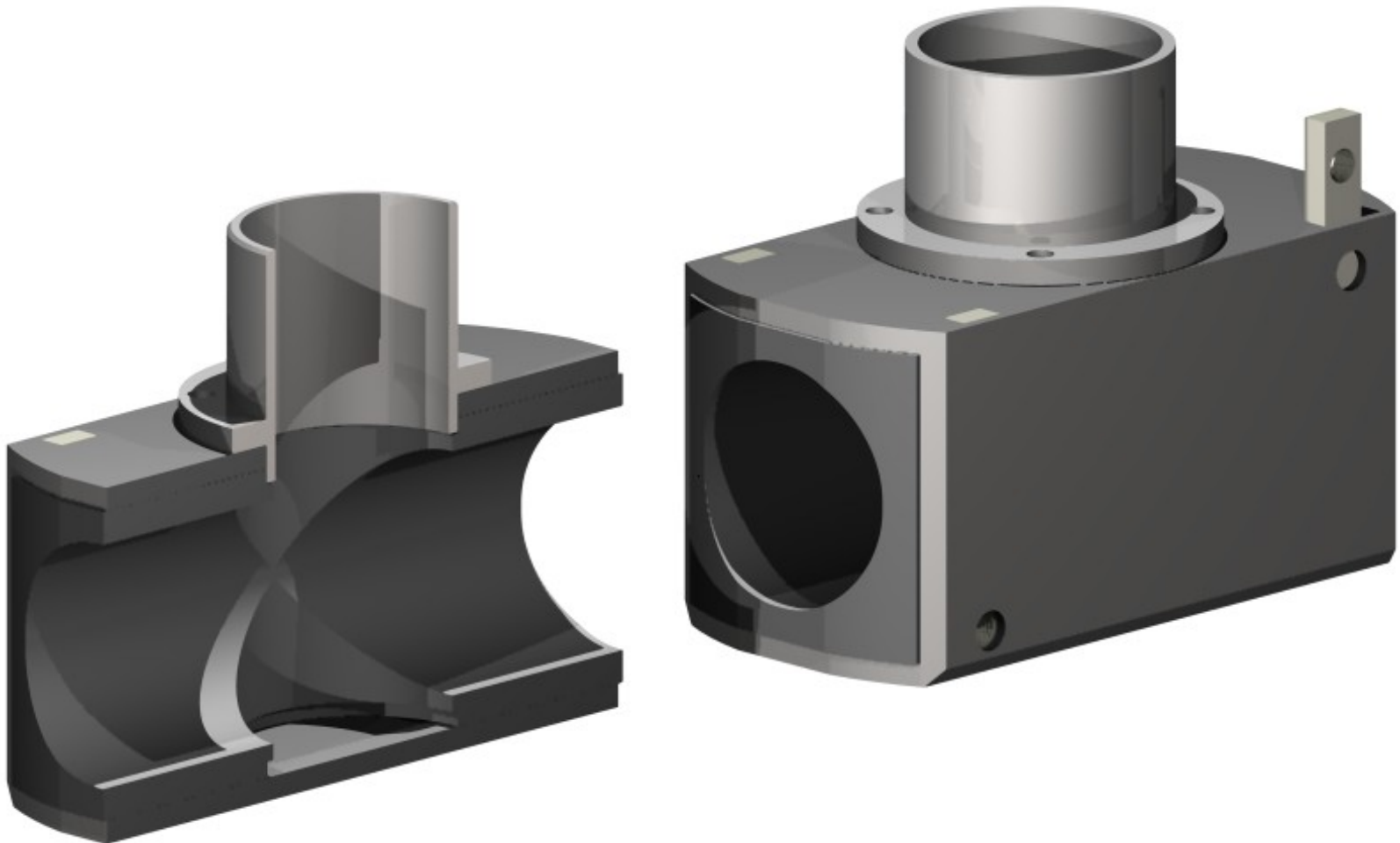


PATENTED



DML Industries

## New Design LYNX 40 Feed Box

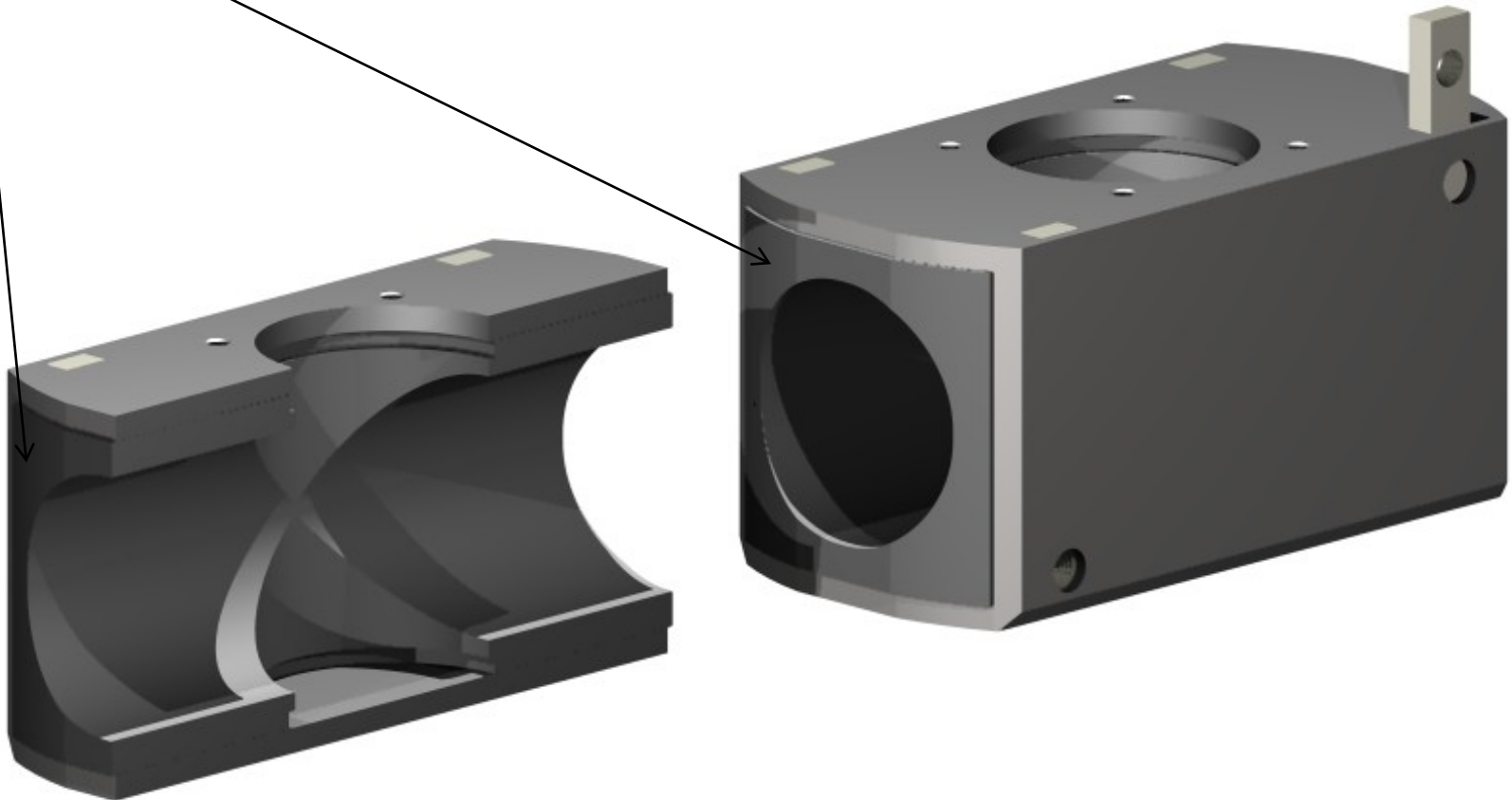


PATENTED



DML Industries

Solid Carbide Liner

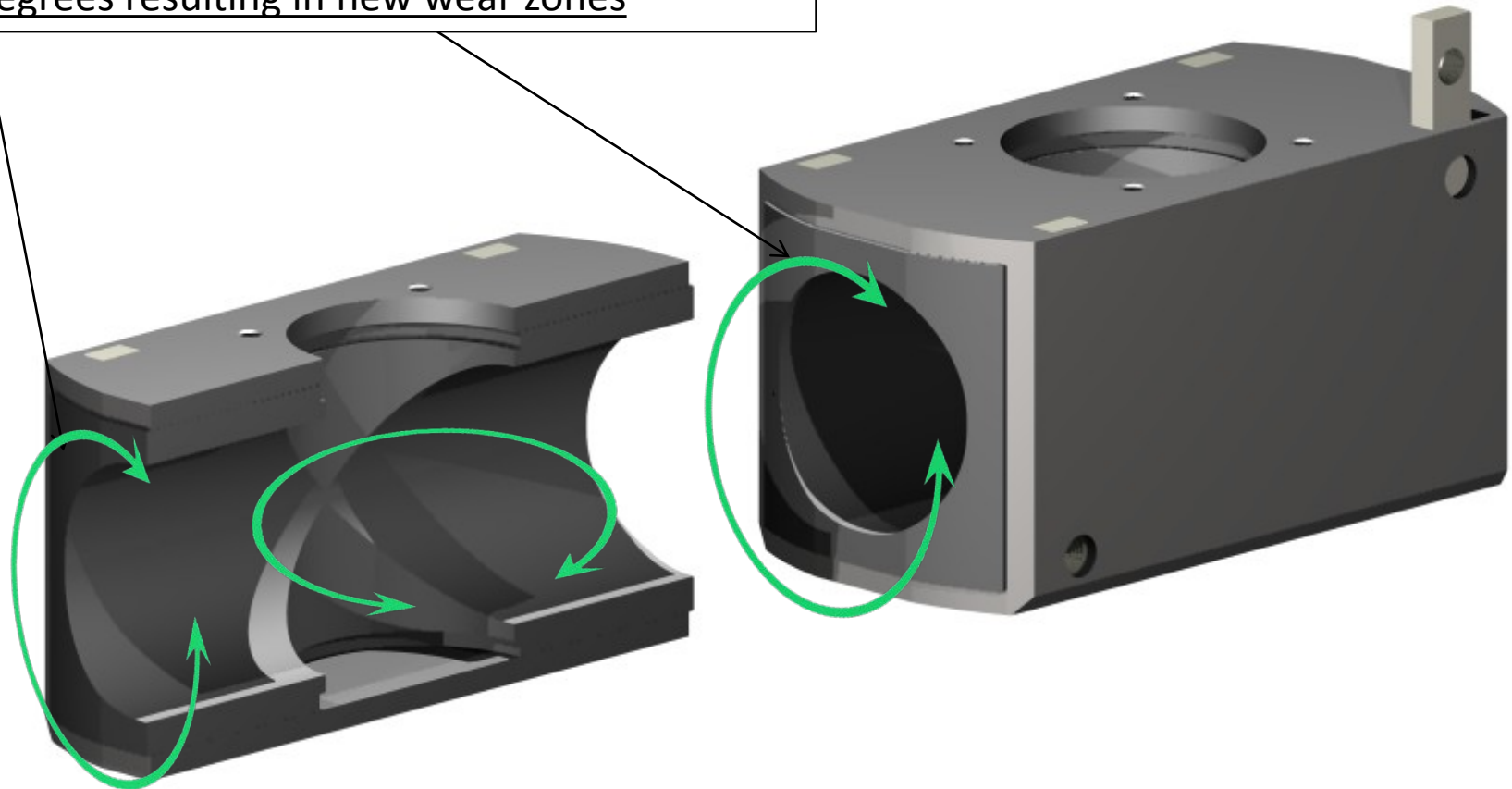


PATENTED



# DML Industries

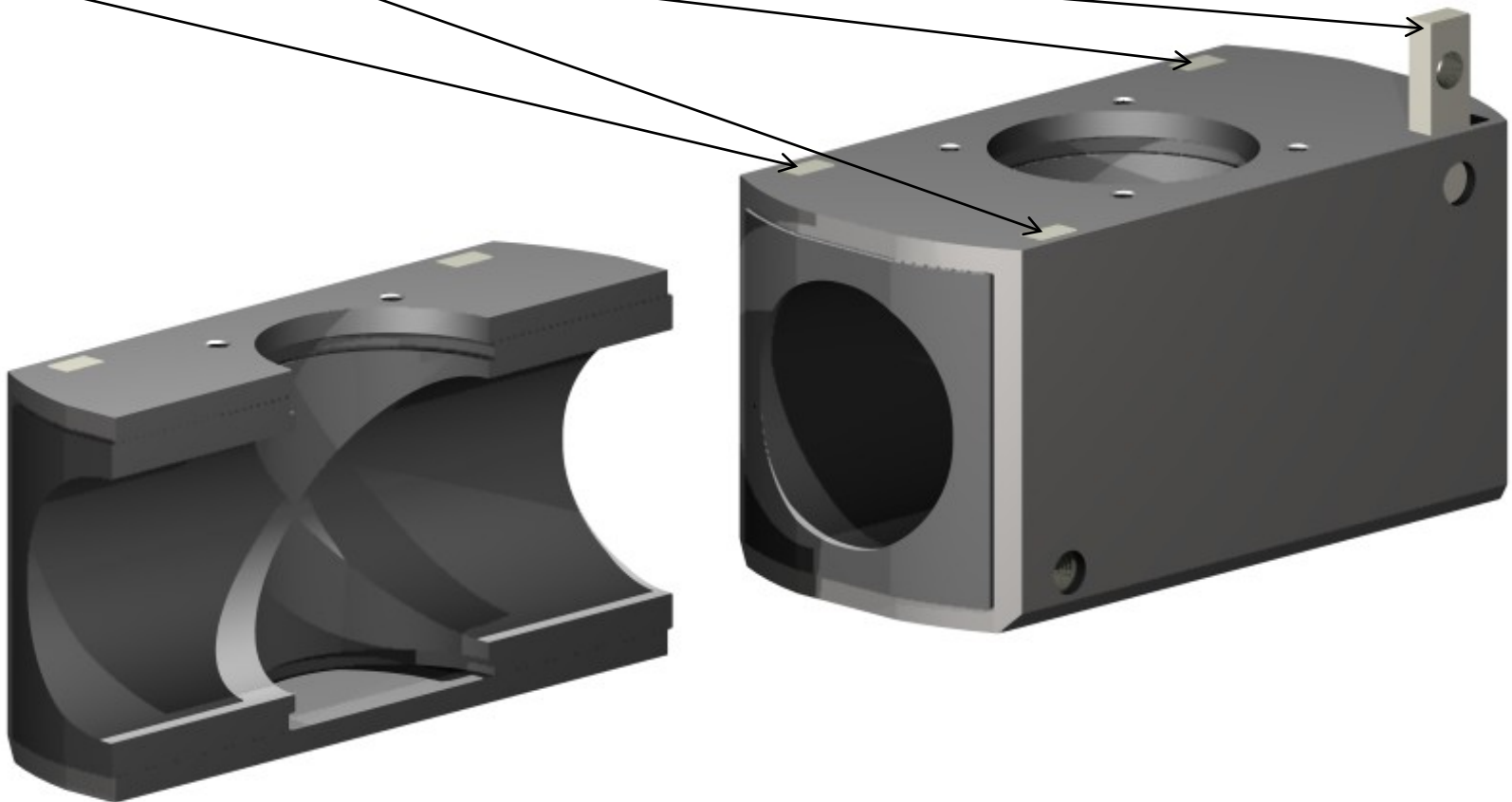
The liner is designed to be rotated 180 degrees resulting in new wear zones





# DML Industries

4 Keys to Secure the Liner in the Housing

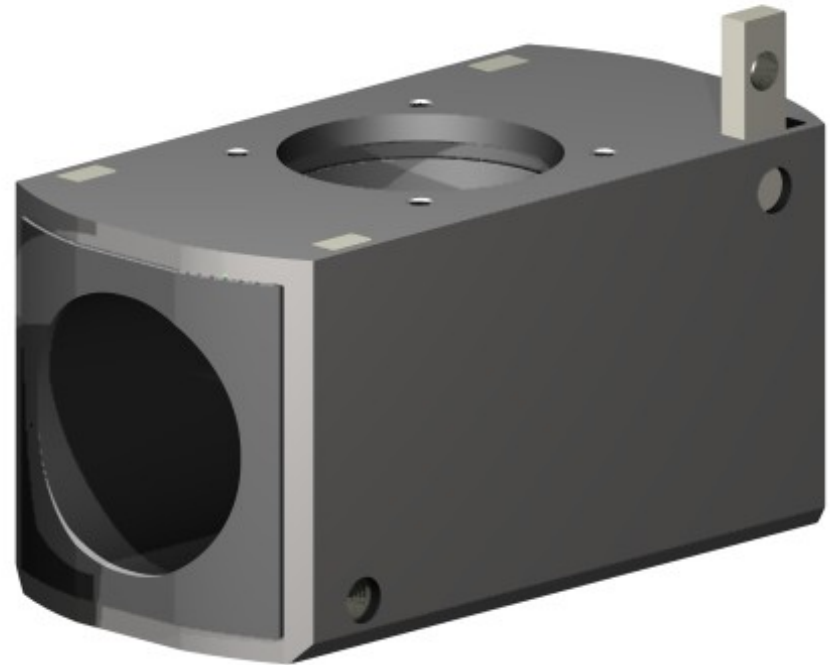
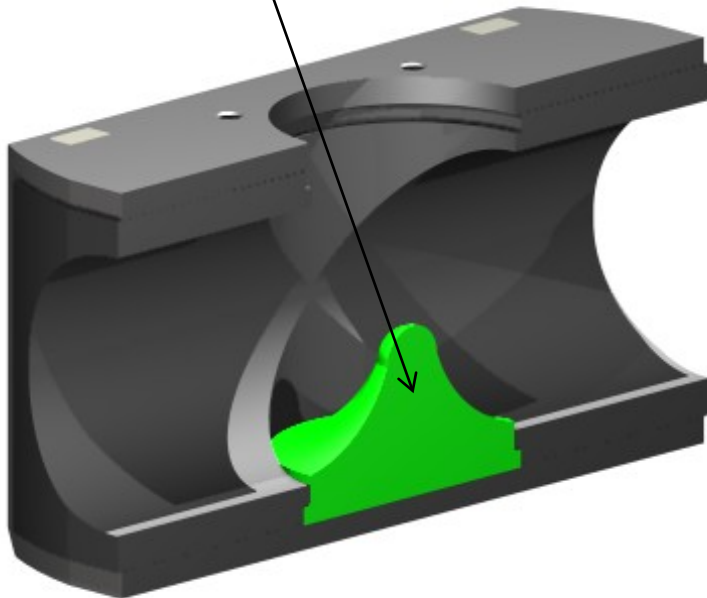


PATENTED



DML Industries

Available with Carbide Diverter



PATENTED



DML Industries

Available with Stellite Accelerator

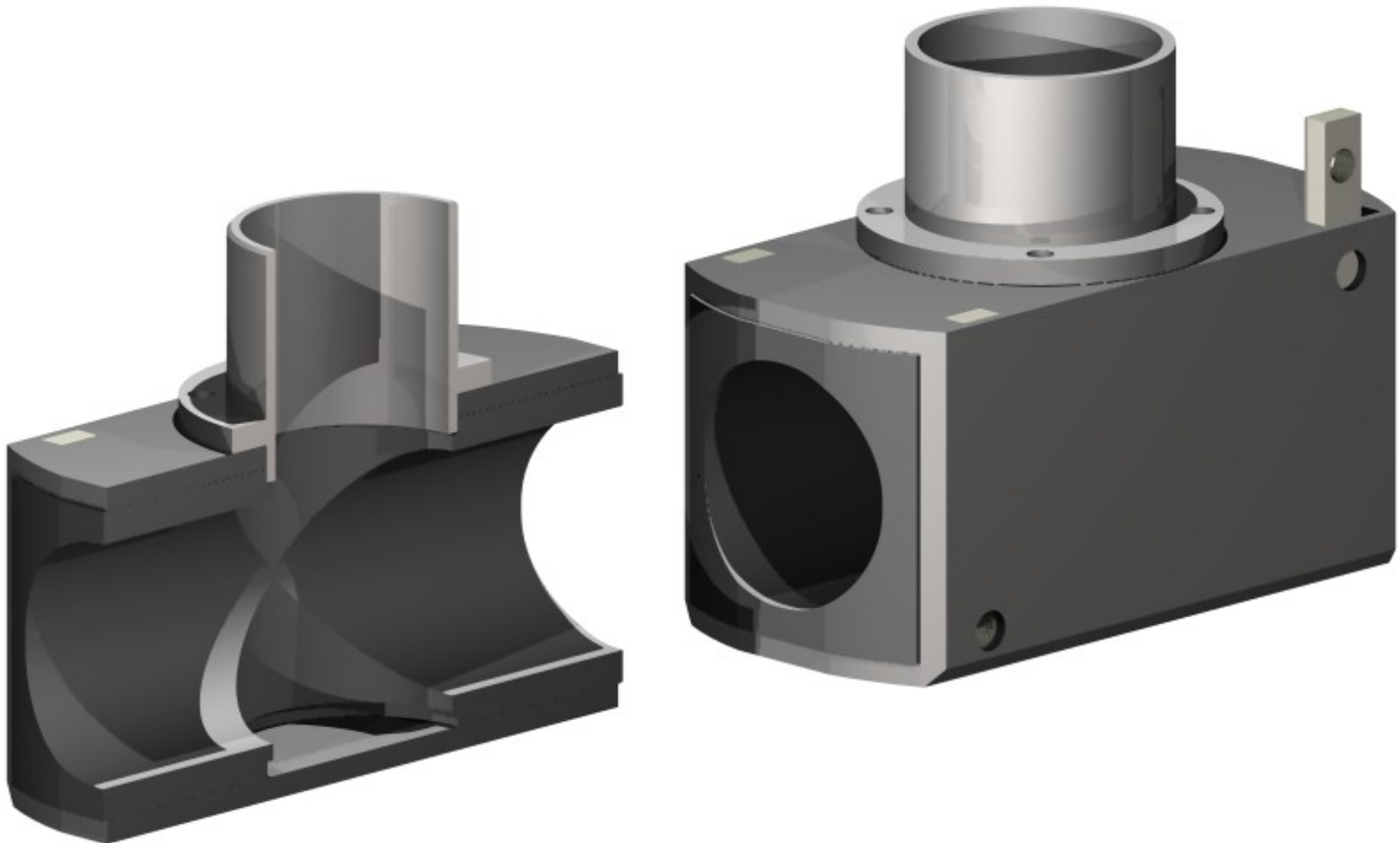


PATENTED



DML Industries

## New Design LYNX 40 Feed Box

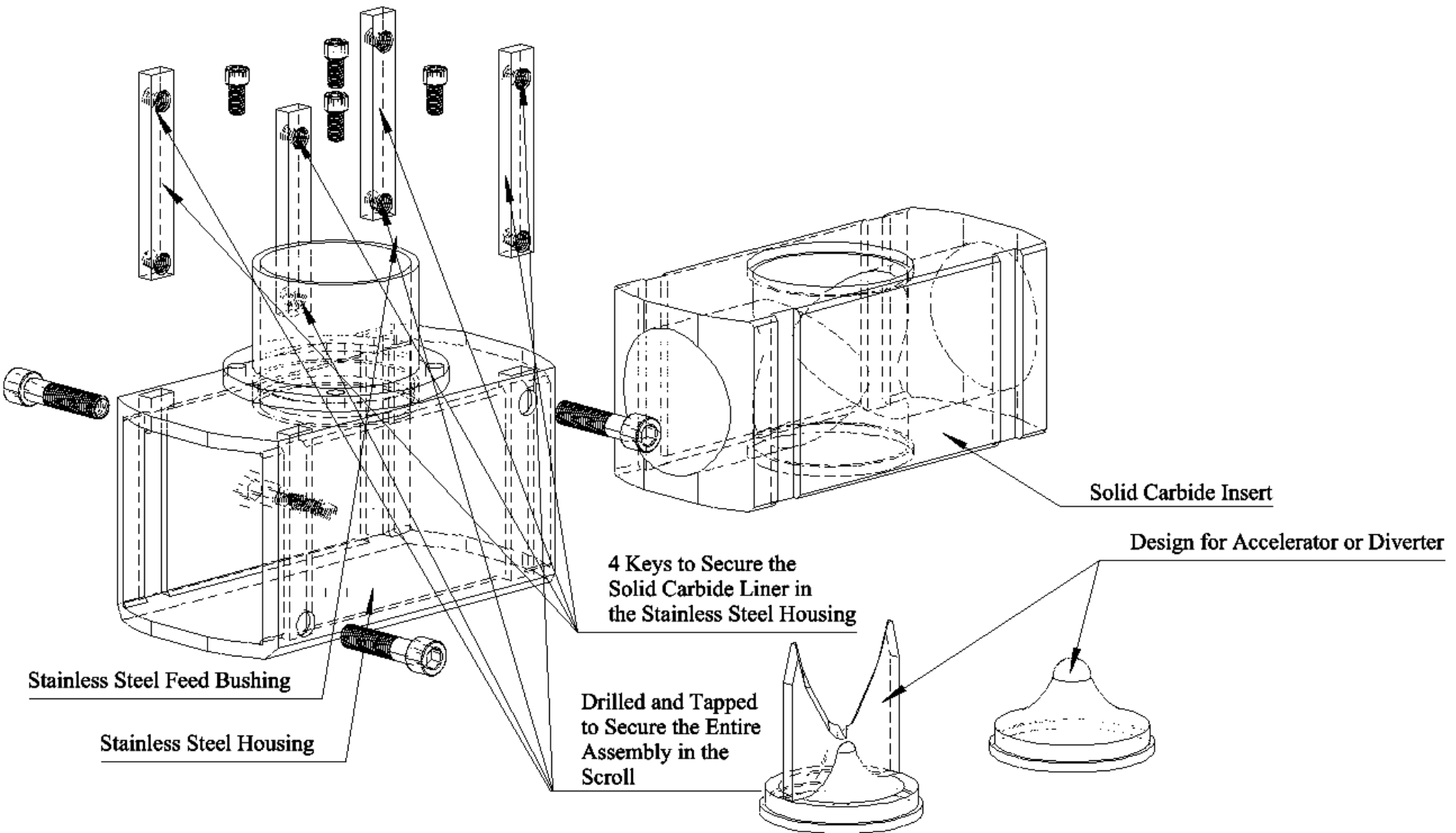


PATENTED

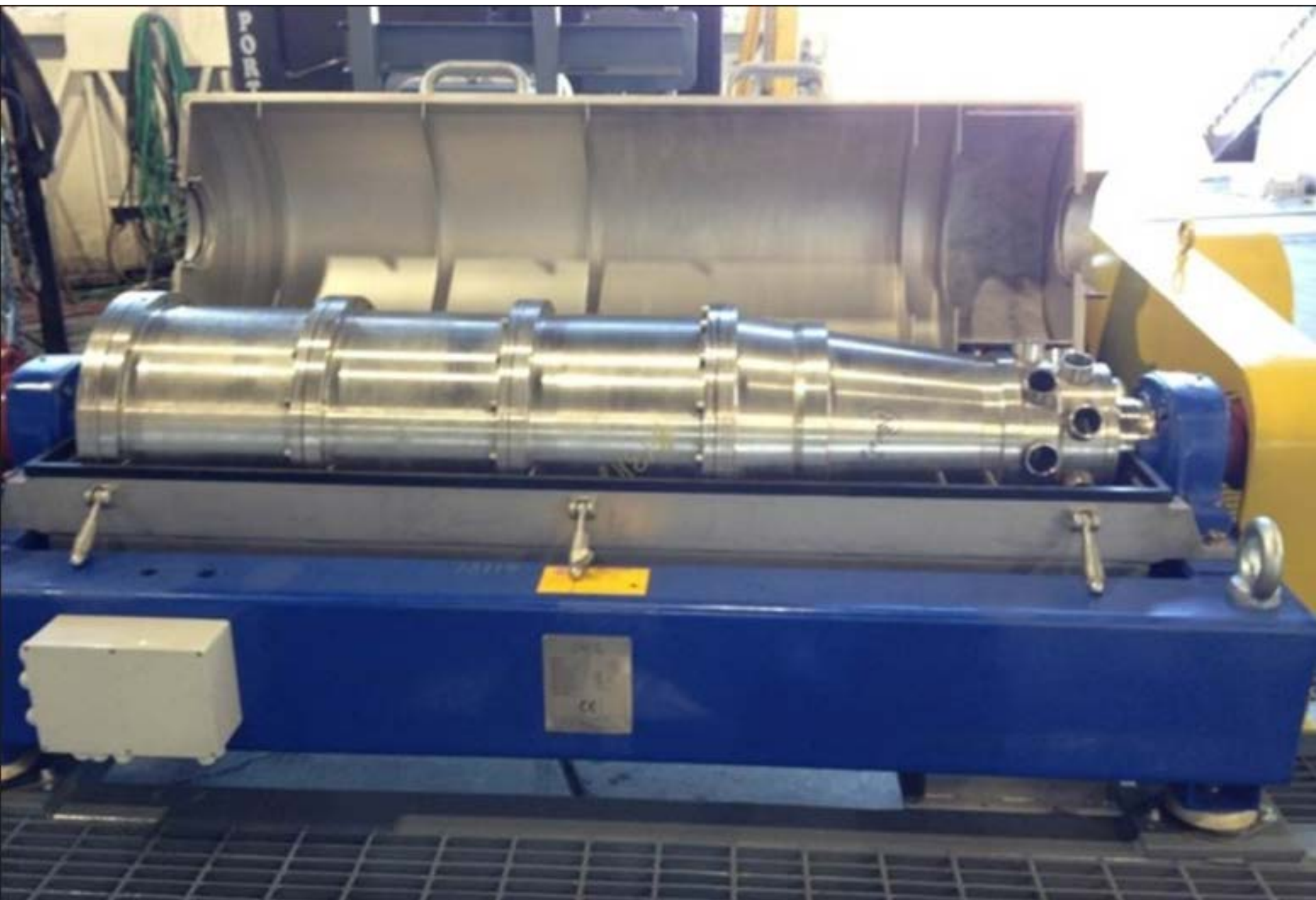




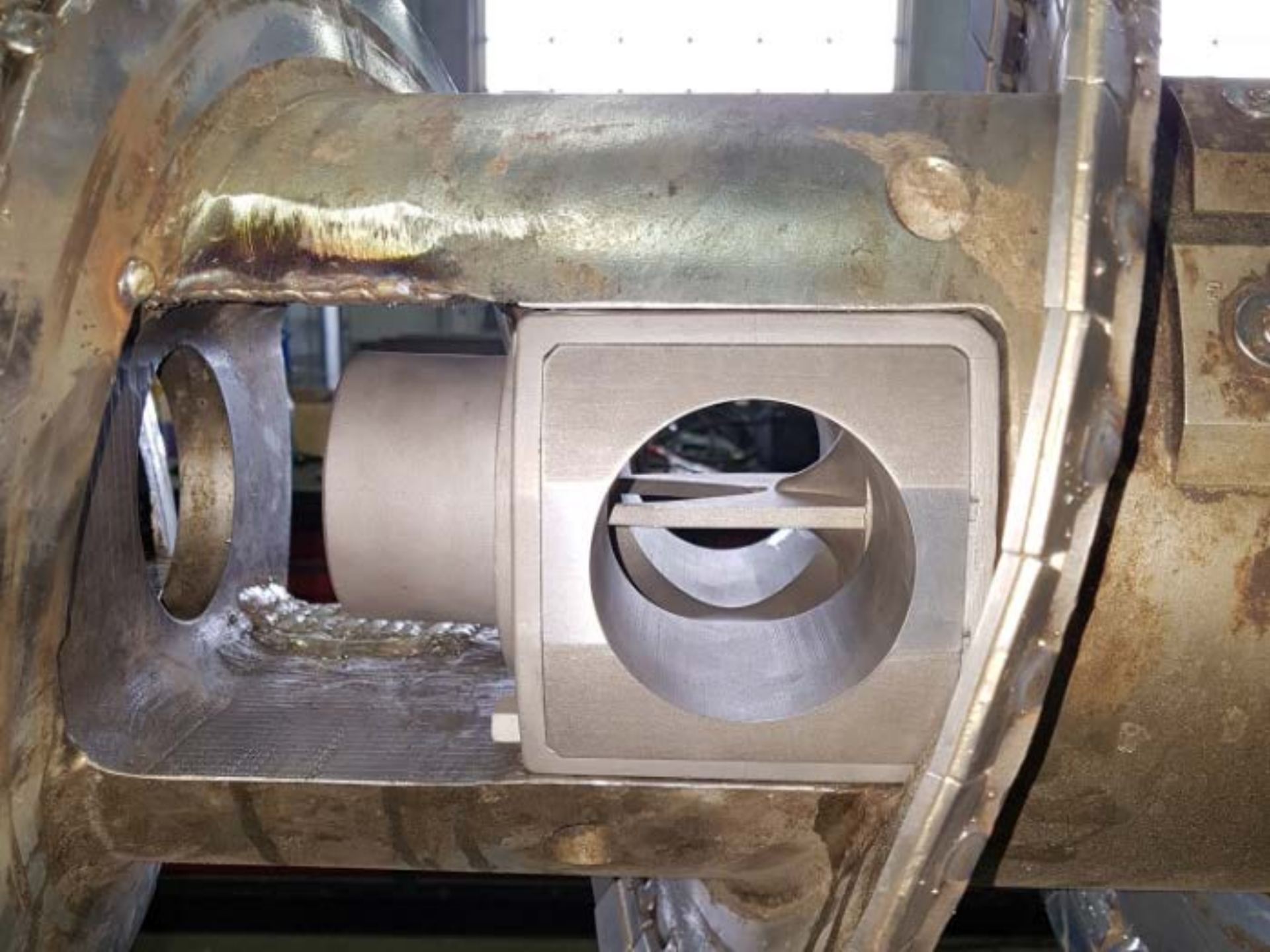
# DML Industries



PATENTED









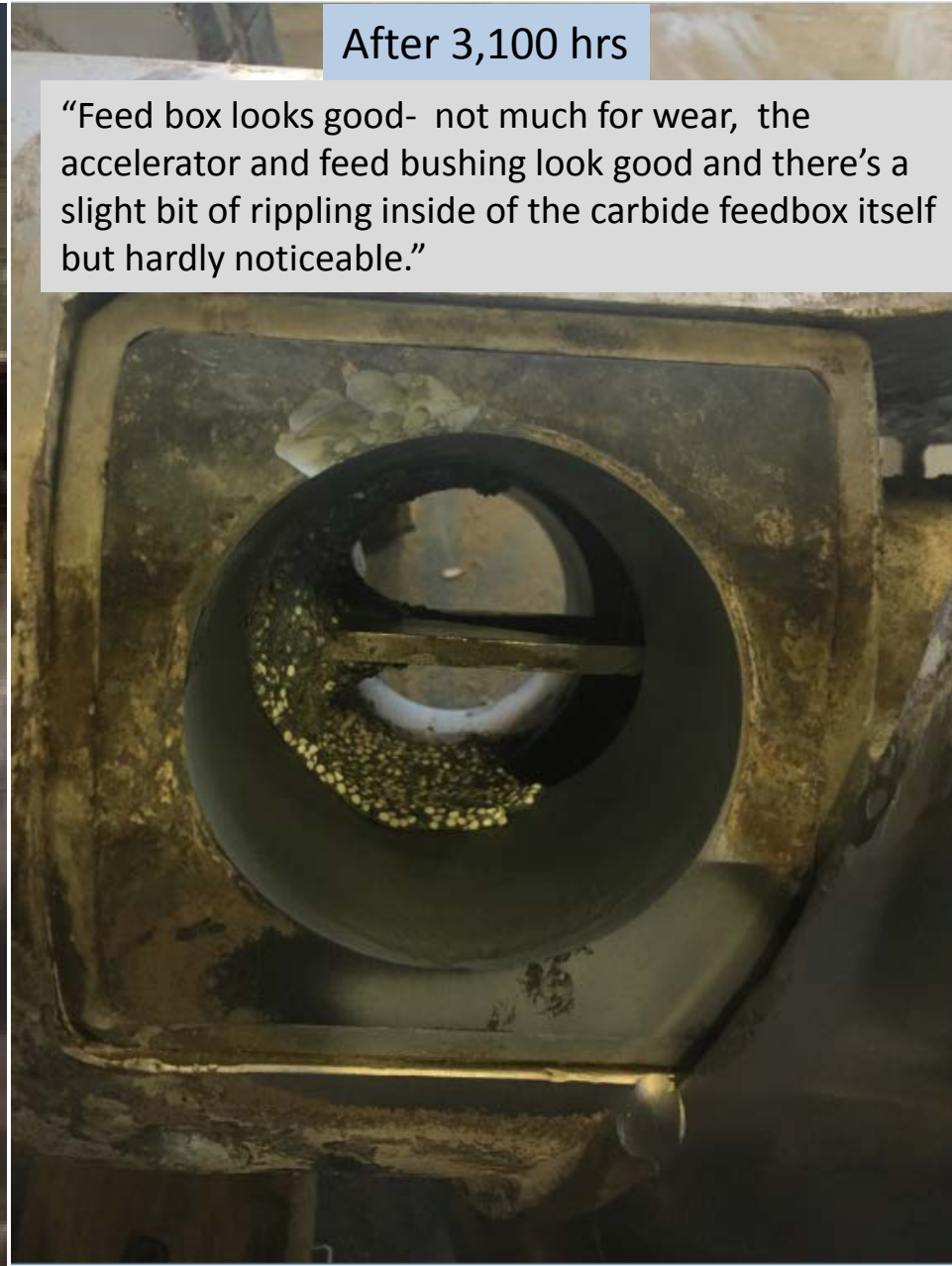
# DML INDUSTRIES

New Installed April/2018



After 3,100 hrs

“Feed box looks good- not much for wear, the accelerator and feed bushing look good and there’s a slight bit of rippling inside of the carbide feedbox itself but hardly noticeable.”





# DML INDUSTRIES

Initially Installed April/2018 --- The unit came through for repairs a few times but, the Feed Box wasn't touched until now (Feb/2021), it was cleaned up and put back into service in the same position.

"I have attached a few pictures of the 2 port that has come through - you can see a bit of where on the carbide feed box and a little bit of wear in the feed bushing. Accelerator plate looks in good shape still.





DML Industries

93 Southview Cres,  
London, Ontario N6J 3L6  
Phone: 226-800-4138

[Sales@DML-Industries.com](mailto:Sales@DML-Industries.com)